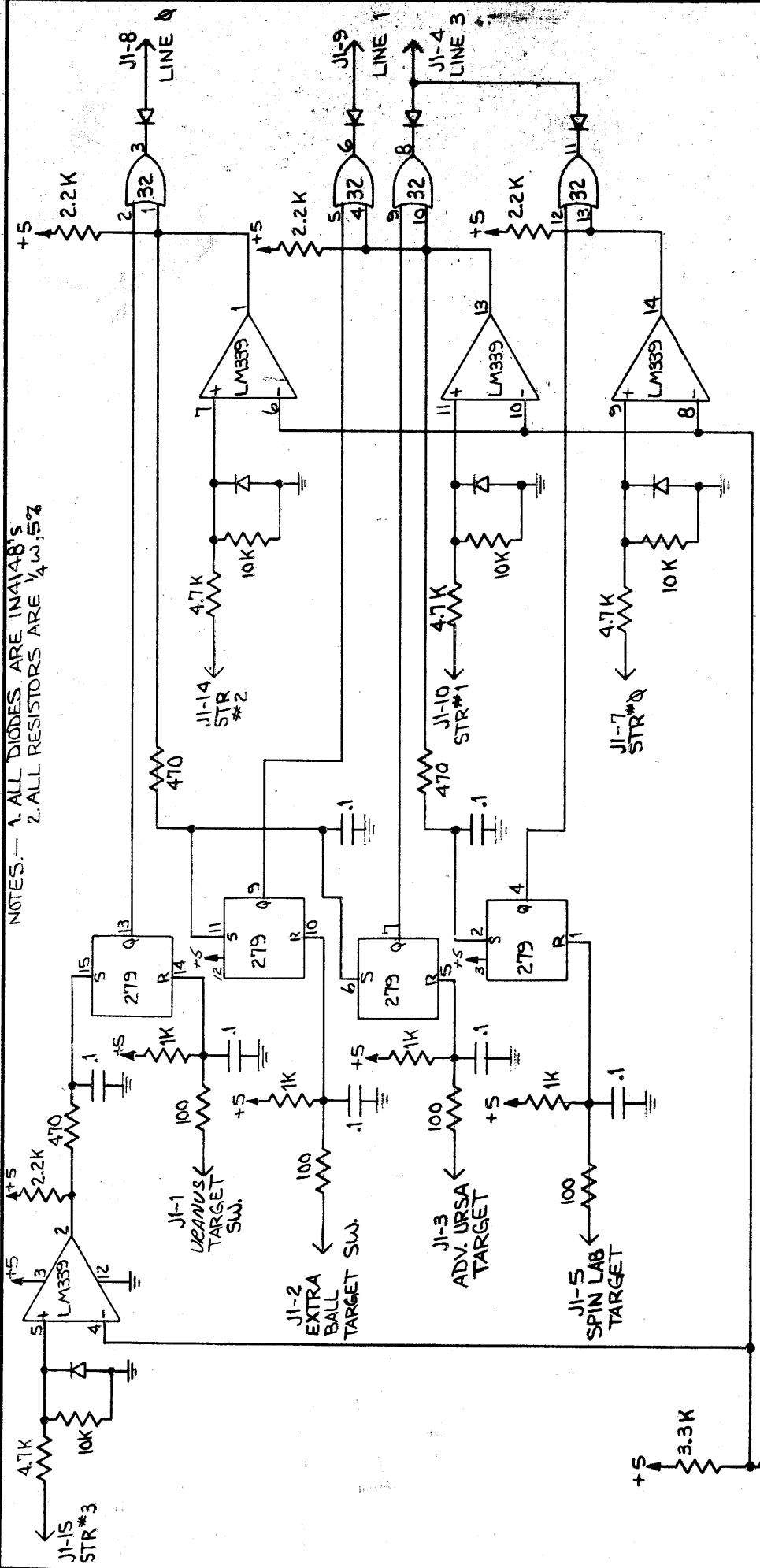
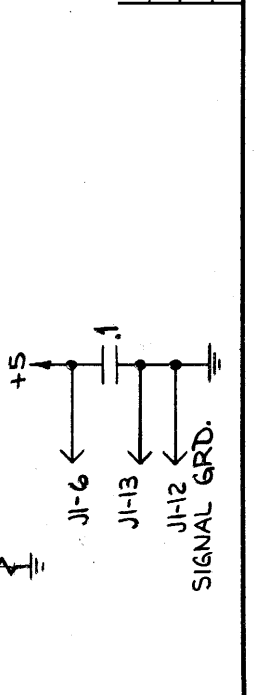


NOTES.— 1. ALL DIODES ARE INAI48'S
 2. ALL RESISTORS ARE 1/4W, 5%



Used On	20-10042A	GAME PLAN Inc. 1515 W. Fullerton Ave Addison ILL. 60101
PARTS MUST BE CLEAN AND FREE OF BURRS		Scale <u>1/8" = 1"</u>
Tolerances Unless Specified		Date <u>2-21-80</u>
Fractional	± .015	Mat'l
Decimal	± .005	App. By
Angles	± 1/2	Drawing Number
Screw Threads	Class 2	02-10051B

ISSUE	CHANGE	DATE



SWITCH CATCHER UNIT
 SCHEMATIC-SCU-1