

GAME PLAN, INC.  
LIZARD PINBALL  
(MODEL 210)

PARTS CATALOG

GAME PLAN, INC.  
1515 W. FULLERTON AVE.  
ADDISON, IL. 60101

02-30050A

## INTRODUCTION

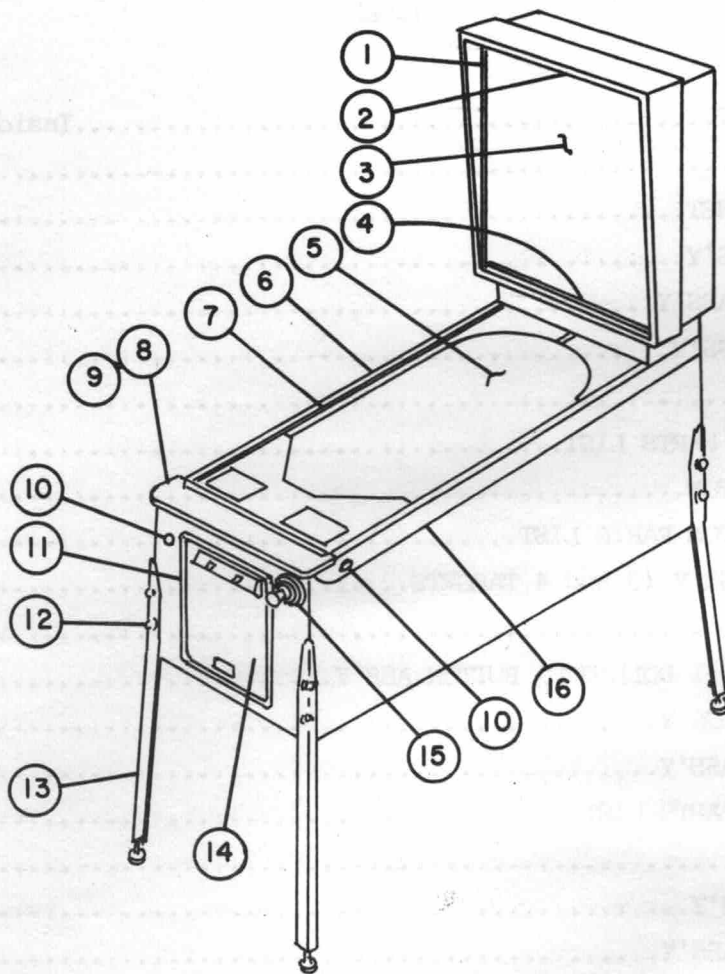
THIS PARTS CATALOG HAS BEEN COMPILED TO HELP THE SERVICEMAN IN SELECTING THE PARTS NECESSARY FOR PROPER MAINTENANCE OF GAME PLAN, INC. GAMES.

ALL MOTORS IN NEW GAME PLAN GAMES CARRY A 6 MONTH WARRANTY FROM THE DATE OF PURCHASE OF THE MACHINE. ANY DEFECTIVE MOTOR WILL BE REPLACED FREE OF CHARGE BY YOUR GAME PLAN DISTRIBUTOR.

ALL P.C. BOARDS CARRY A 90 DAY WARRANTY. ANY DEFECTIVE P.C. BOARD WILL BE REPAIRED FREE OF CHARGE.

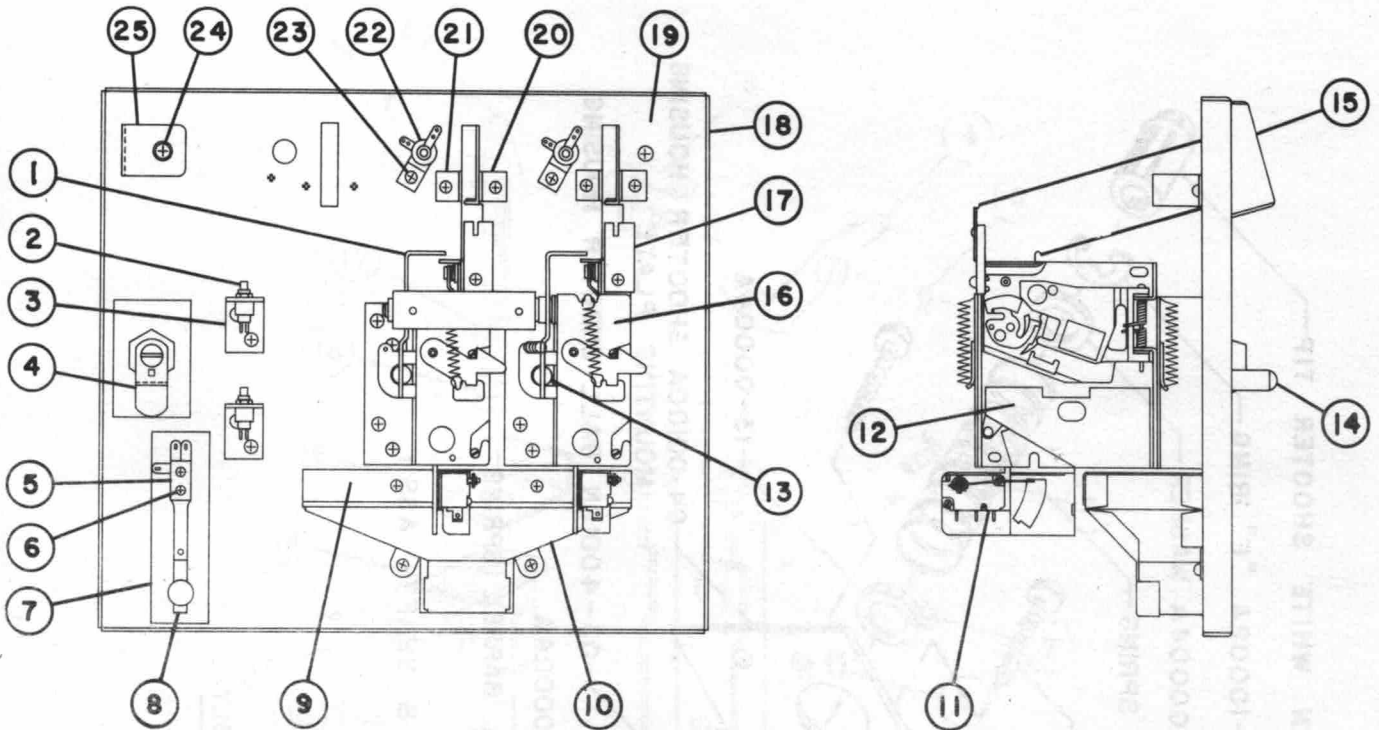
WHEN ORDERING PARTS, ALWAYS SPECIFY THE NAME OF THE UNIT, PART NUMBERS, AND A DESCRIPTION OF THE PART AS SHOWN IN THIS CATALOG.

GAME PLAN, INC.



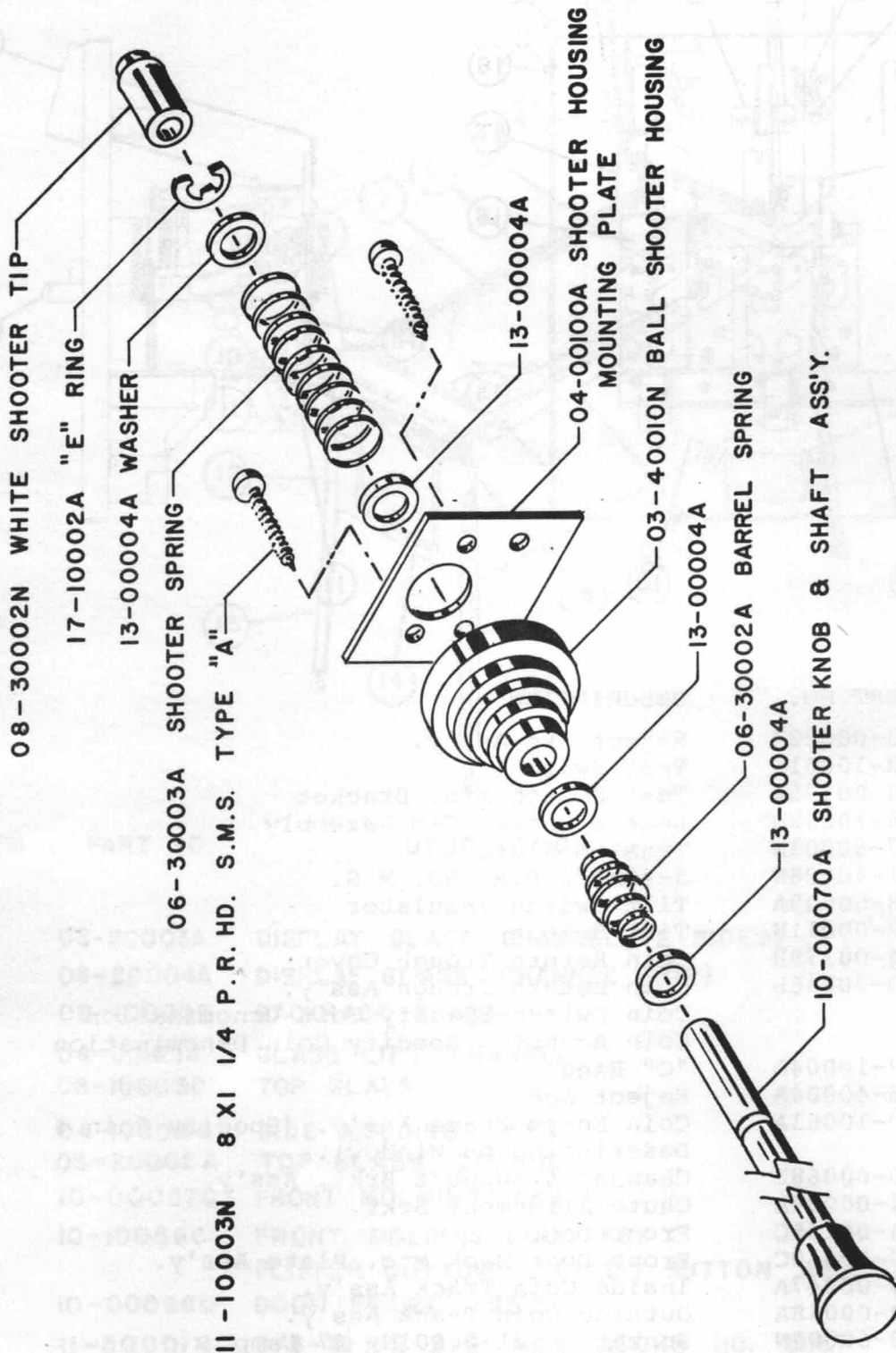
ITEM	PART NO.	DESCRIPTION
1	03-20003A	DISPLAY GLASS CHANNEL (2 SIDES)
2	03-20004A	DISPLAY GLASS CHANNEL (TOP)
3	08-10002E	BACKRACK GLASS
4	04-00163A	GLASS LIFT CHANNEL
5	08-10003D	TOP GLASS
6	04-10004C	SIDE MOLDING - LEFT
7	03-20002A	TOP GLASS CHANNEL
8	10-00057C	FRONT MOLDING ASS'Y.
9	10-10056C	FRONT MOLDING LOCK ASS'Y.
10		FLIPPER BUTTON & CREDIT BUTTON ASSEMBLY (SEE PAGE 12)
11	10-00066C	DOOR FRAME ASS'Y.
12	11-50001N	3/8-16 X 2-3/8 HEX ACORN HD. BOLT
13	04-00156C	CABINET LEG
14	10-10060D	FRONT DOOR ASS'Y. (SEE PAGE 3)
15	10-10074A	BALL SHOOTER ASS'Y. (SEE PAGE 4)
16	04-10005C	SIDE MOLDING - RIGHT

FRONT DOOR ASSEMBLY  
10-10158D



ITEM	PART NO.	DESCRIPTION
1	10-00022A	Reject Arm Ass'y.
2	22-10001N	Test Switch
3	04-00175A	Test Switch Mtg. Bracket
4	14-10002N	Lock & Offset Cam Assembly
5	17-90001N	Tension Plate
6	11-40028N	5-40x1/2 P.R. HD. M.S.
7	08-60009A	Tilt Switch Insulator
8	22-00011N	Tilt Switch
9	04-00179B	Coin Return Trough Cover
10	10-00046B	Coin Return Trough Ass'y.
11		Coin Switch-Specify Coin Denomination
12		Coin Acceptor-Specify Coin Denomination
13	17-10004A	"C" Ring
14	05-40004A	Reject Rod
15	10-10061A	Coin Entry Frame Ass'y. (Specify Coin & Description on Window).
16	10-00068B	Channel & Support Brkt. Ass'y.
17	04-00035A	Chute Alignment Brkt.
18	04-00115C	Front Door
19	10-00050C	Front Door Back Mtg. Plate Ass'y.
20	10-00047A	Inside Coin Track Ass'y.
21	10-00048A	Outside Coin Track Ass'y.
22	29-60006N	Socket 31-00001N- 47 Lamp
23	11-40003N	6-32x 1/4 P.R. HD. M.S. EXT. SEMS
24	11-40020N	8-32x7/8 P.R. HD. M.S.
25	04-00353A	Molding Latch Brkt.



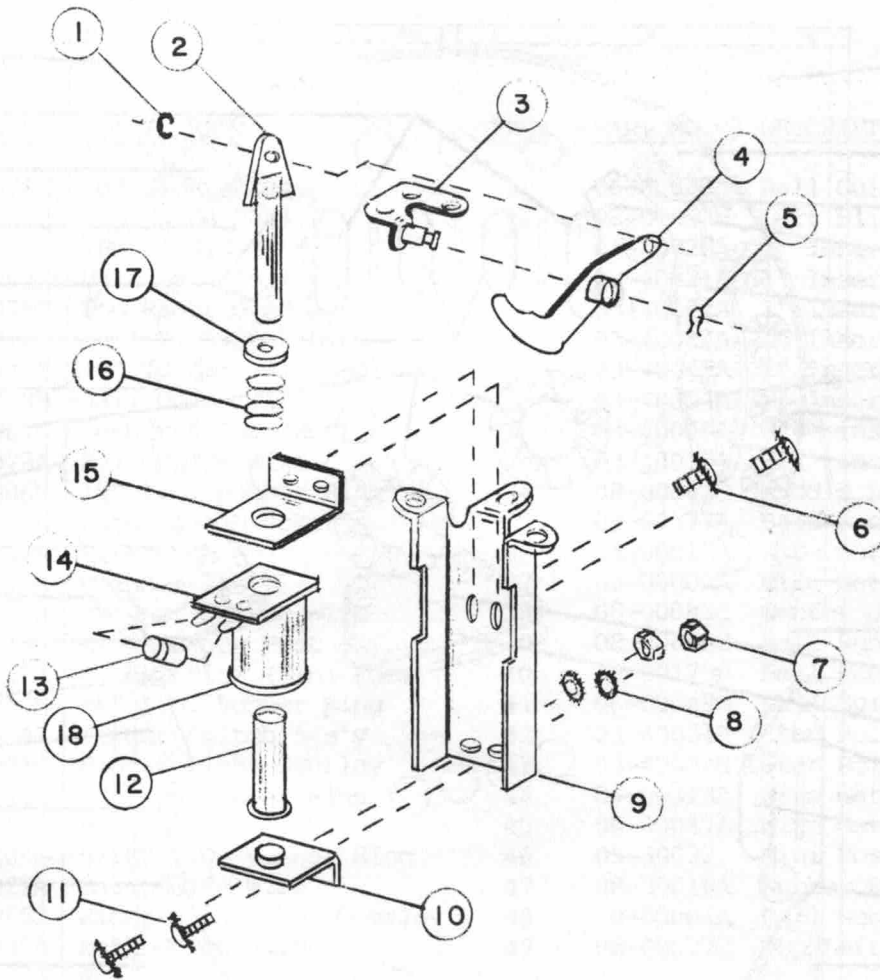


BALL SHOOTER ASSEMBLY

10-10074A

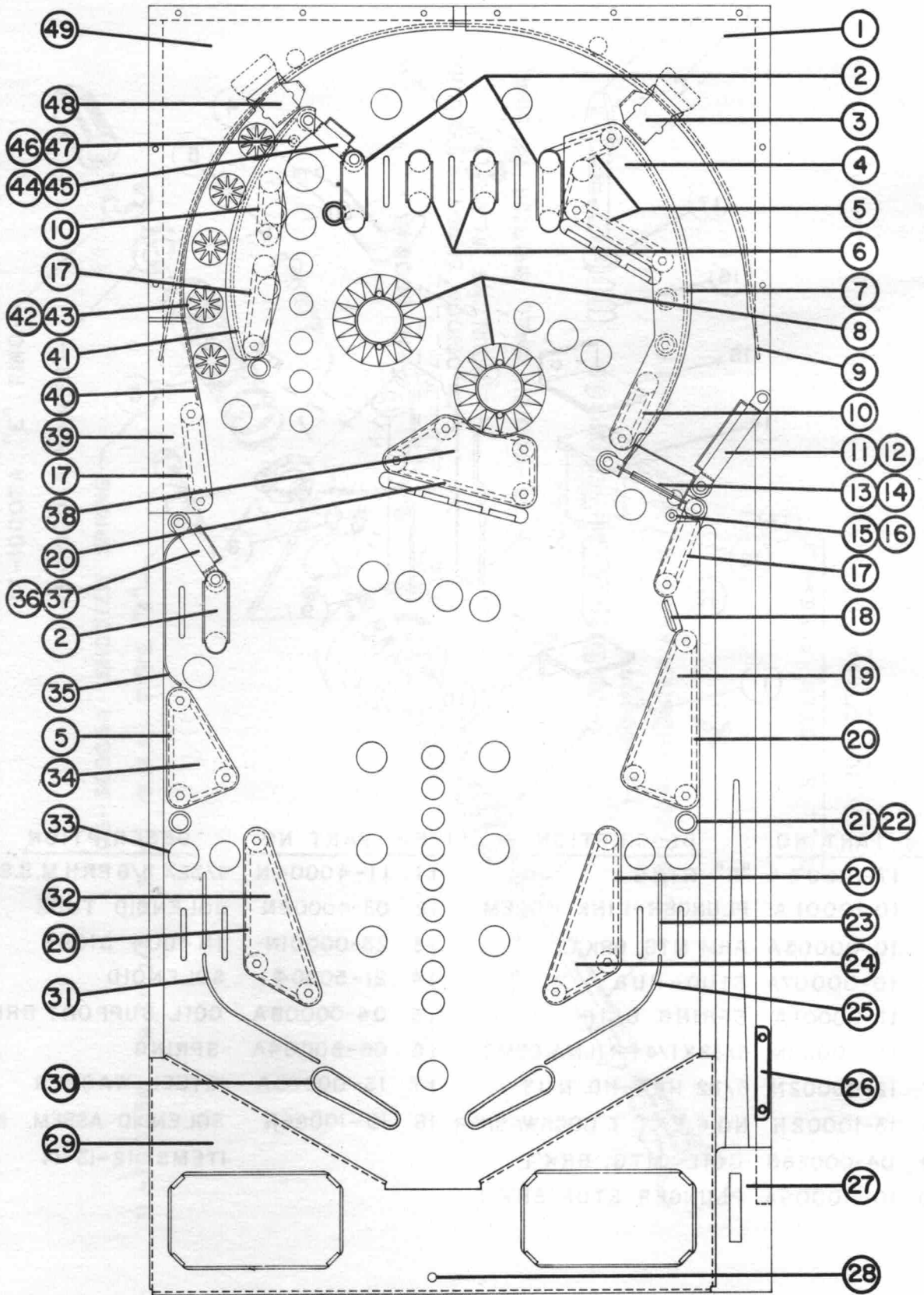
BALL KICKER ASSEM.

10-10010B



<u>ITEM</u>	<u>PART NO.</u>	<u>DESCRIPTION</u>	<u>ITEM</u>	<u>PART NO.</u>	<u>DESCRIPTION</u>
1	17-10003A	"E" RING	11	11-40004N	6/32X 3/8 P.R.H.M.S.SEMS
2	10-10001A	PLUNGER-LINK ASSEM.	12	03-40008N	SOLENOID TUBE
3	10-00005A	ARM MTG. BRK'T.	13	25-00001N	1N4004 DIODE
4	10-00007A	STUD-HUB	14	21-50004	SOLENOID
5	17-20001A	SPRING CLIP	15	04-00008A	COIL SUPPORT BRK'T.
6	11-40003N	6/32X1/4 P.R.H.M.S.SEMS	16	06-30004A	SPRING
7	12-00002N	6/32 HEX HD. NUT	17	13-00003A	STEEL WASHER
8	13-10002N	NO.6 EXT. T. LOCKWASHER	18	10-10086N	SOLENOID ASSEM. INC.
9	04-00026B	COIL MTG. BRK'T.			ITEMS 12-13-14
10	10-00009A	PLUNGER STOP BRK'T.			

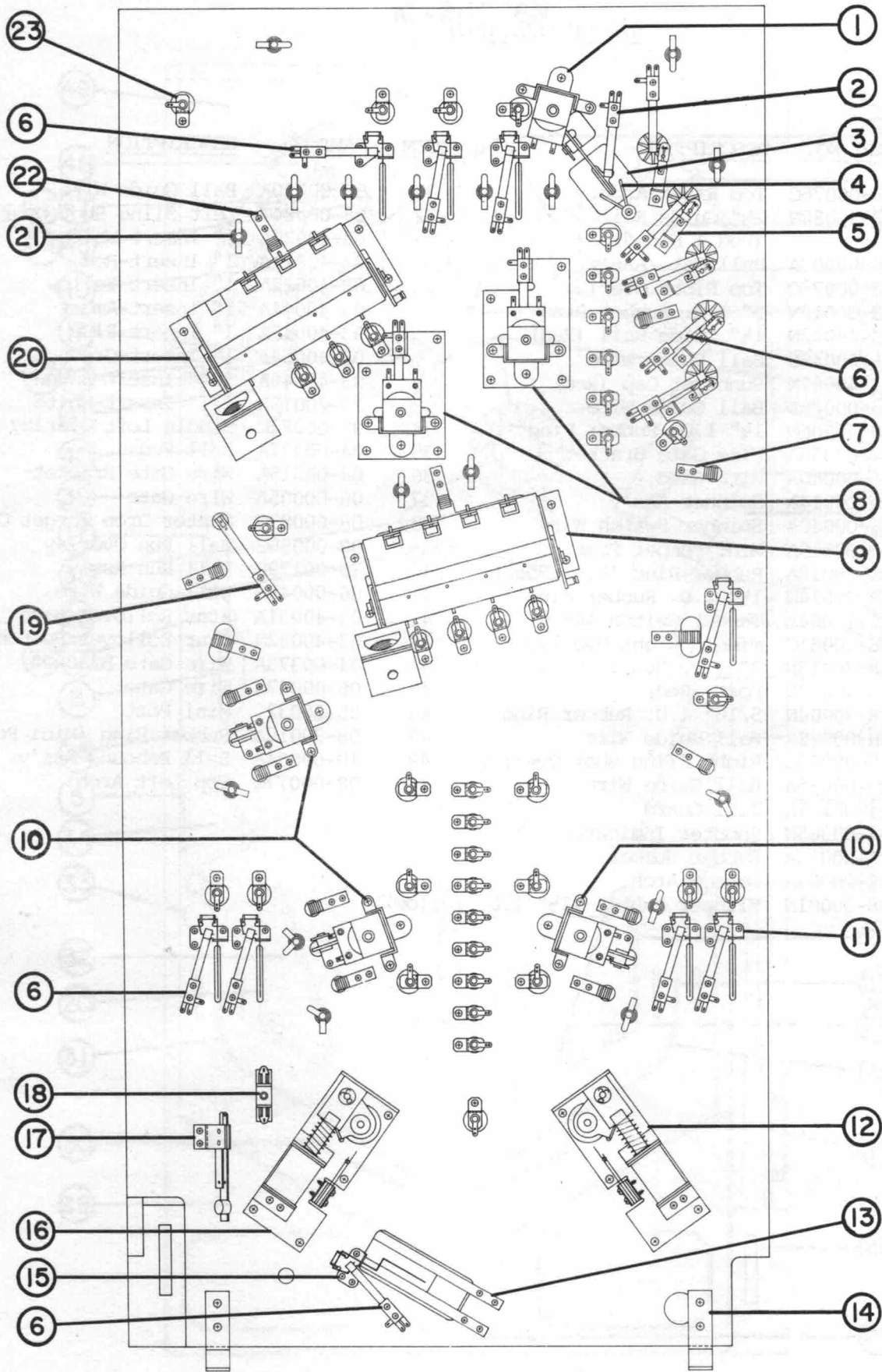
# PLAYFIELD TOP 10-20026N



TOP OF PLAYFIELD

<u>ITEM</u>	<u>PART NO.</u>	<u>DESCRIPTION</u>	<u>ITEM</u>	<u>PART NO.</u>	<u>DESCRIPTION</u>
1	08-00076C	Top Right Arch.	31	06-00030A	Ball Guide Wire
2	03-40058N	2½" Guide Rail (Red 1 Sided)	32	08-00084C	Left Sling Shot Overlay
3	10-00003A	Ball Gate Ass'y	33	03-40020A	1" Insert-White
4	08-00078C	Top Right Overlay		03-40021A	1" Insert-Red
5	08-30012N	2" I.D. Rubber Ring		03-40022A	1" Insert-Yellow
6	03-40042N	1½" Guide Rail (Red)		03-40044A	1" Insert-Amber
7	06-00048B	Ball Guide Wire		03-40045A	1" Insert-Blue
8	03-40061N	Sunburst Cap (Red)		03-40054A	1" Insert-Green
9	06-00028A	Ball Guide Wire		03-40046A	¾" Insert-Blue
10	08-30006N	1½" I.D. Rubber Ring	34	08-00082C	Middle Left Overlay
11	04-00358A	Wire Gate Bracket	35	04-00377A	Ball Run
12	06-00040A	Wire Gate	36	04-00015A	Wire Gate Bracket
13	10-00014A	Spinner Ass'y	37	06-00005A	Wire Gate
14	06-00040A	Spinner Switch Wire	38	08-00083C	Center Drop Target Overlay
15	05-30015A	Mini Bumper Post	39	08-00080C	Ball Run Overlay
16	08-30018A	Rubber Ring (Mini Post)	40	10-00179B	Ball Run Ass'y
17	08-30014N	1½" I.D. Rubber Ring	41	06-00049B	Ball Guide Wire
18	10-10064A	Target Switch Ass'y	42	03-40031A	Star Rollover Base
19	08-00081C	Middle Right Overlay	43	03-40032N	Star Rollover Button
20	08-30013N	3" I.D. Rubber Ring	44	04-00373A	Wire Gate Bracket
21	03-40033N	Post (Red)	45	06-00047A	Wire Gate
22	08-30004N	5/16" I.D. Rubber Ring	46	05-30032	Mini Post
23	06-00022A	Ball Guide Wire	47	08-30018A	Rubber Ring (Mini Post)
24	08-00085C	Right Sling Shot Overlay	48	10-00004A	Ball Rebound Ass'y
25	06-00035A	Ball Guide Wire	49	08-00077C	Top Left Arch.
26	04-00101A	Rail Guard			
27	04-00365N	Shooter Indicator			
28	08-30003A	Rubber Bumper			
29	04-00364N	Bottom Arch.			
30	08-30001N	Flipper Rubber (1½" I.D. Yellow)			

PLAYFIELD BOTTOM  
10-20026N

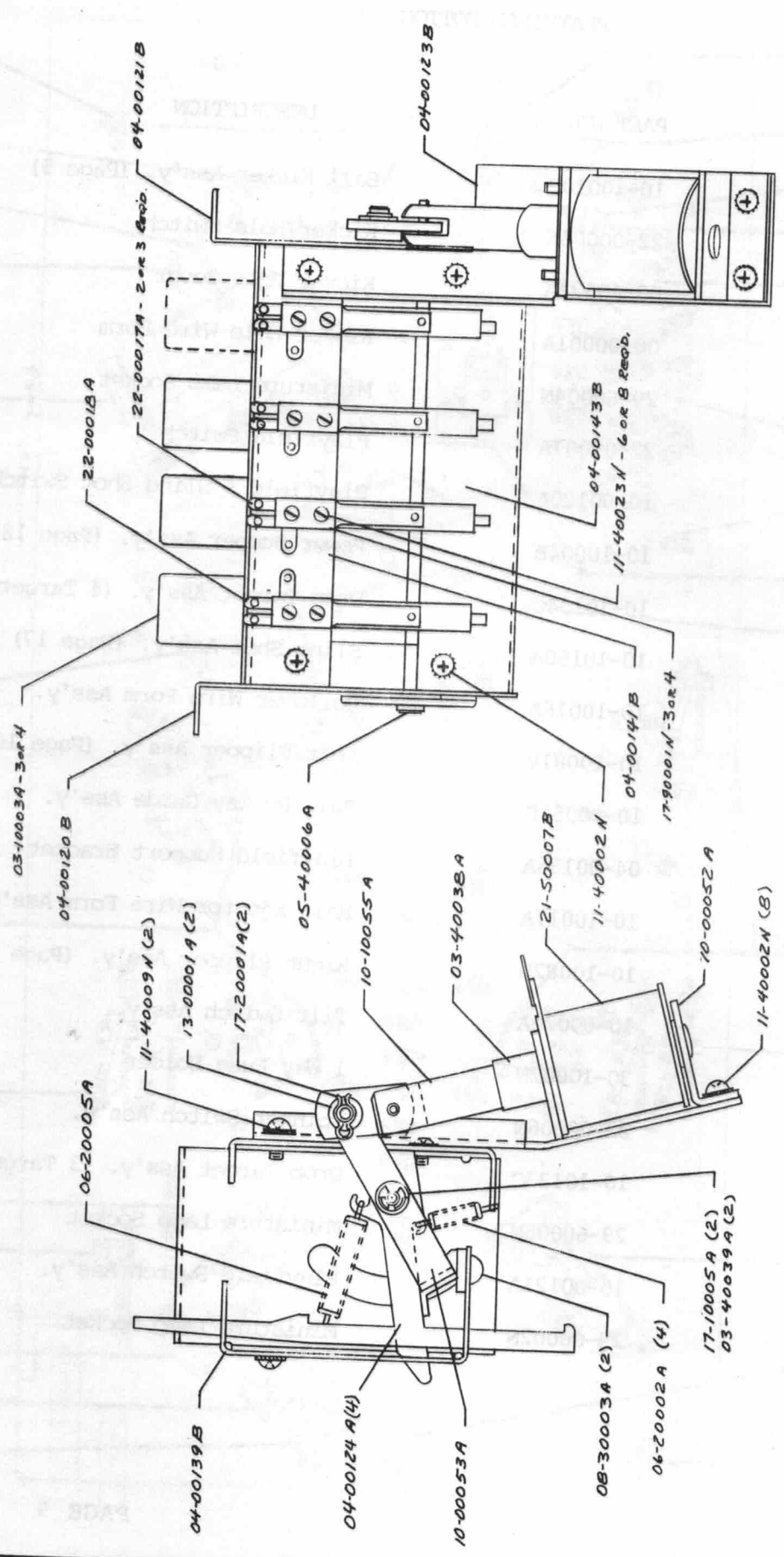




## PLAYFIELD BOTTOM

<u>ITEM</u>	<u>PART NO.</u>	<u>DESCRIPTION</u>
1	10-10010B	Ball Kicker Ass'y. (Page 5)
2	22-00005A	Kicker Hole Switch
3	03-40024A	Kicker Hole Cover
4	06-00001A	Kicker Hole Wire Form
5	29-60004N	Miniature Lamp Socket
6	22-00007A	Playfield Switch
7	10-00120A	Playfield & Sling Shot Switch Ass'y.
8	10-10004B	Power Bumper Ass'y. (Page 18)
9	10-10134C	Drop Target Ass'y. (4 Target Page 10)
10	10-10150A	Sling Shot Ass'y. (Page 17)
11	10-10016A	Rollover Wire Form Ass'y.
12	10-10081B	Left Flipper Ass'y. (Page 16)
13	10-00051B	Ball Runway Guide Ass'y.
14	04-00136A	Playfield Support Bracket
15	10-10017A	Ball Ejector Wire Form Ass'y.
16	10-10082B	Right Flipper Ass'y. (Page 16)
17	10-00026A	Tilt Switch Ass'y.
18	30-10002N	1 Way Fuse Holder
19	22-00006N	Spinner Switch Ass'y.
20	10-10133C	Drop Target Ass'y. (3 Target Page 10)
21	29-60005N	Miniature Lamp Socket
22	10-00121A	Playfield Switch Ass'y.
23	29-60002N	Miniature Lamp Socket

Drawn By: **WJ/3C**  
 10-10-34



Used On: **GAME PLAN INC**  
 1515 W. Fullerton Ave  
 Addison, ILL. 60101

Scale: **FULL** Finish: **AS REQ'D** Drawn By: **WJ/3C**

Date: **11-26-79** Part: **AS REQ'D** App. By: **WJ/3C**

Tolerances Unless Specified: **AS REQ'D**

Fractional:  $\pm .015$   
 Decimal:  $\pm .005$   
 Angles:  $\pm .1^\circ$

Screw Threads: **Class 2**

Parts MUST BE CLEAN AND FREE OF BURRS

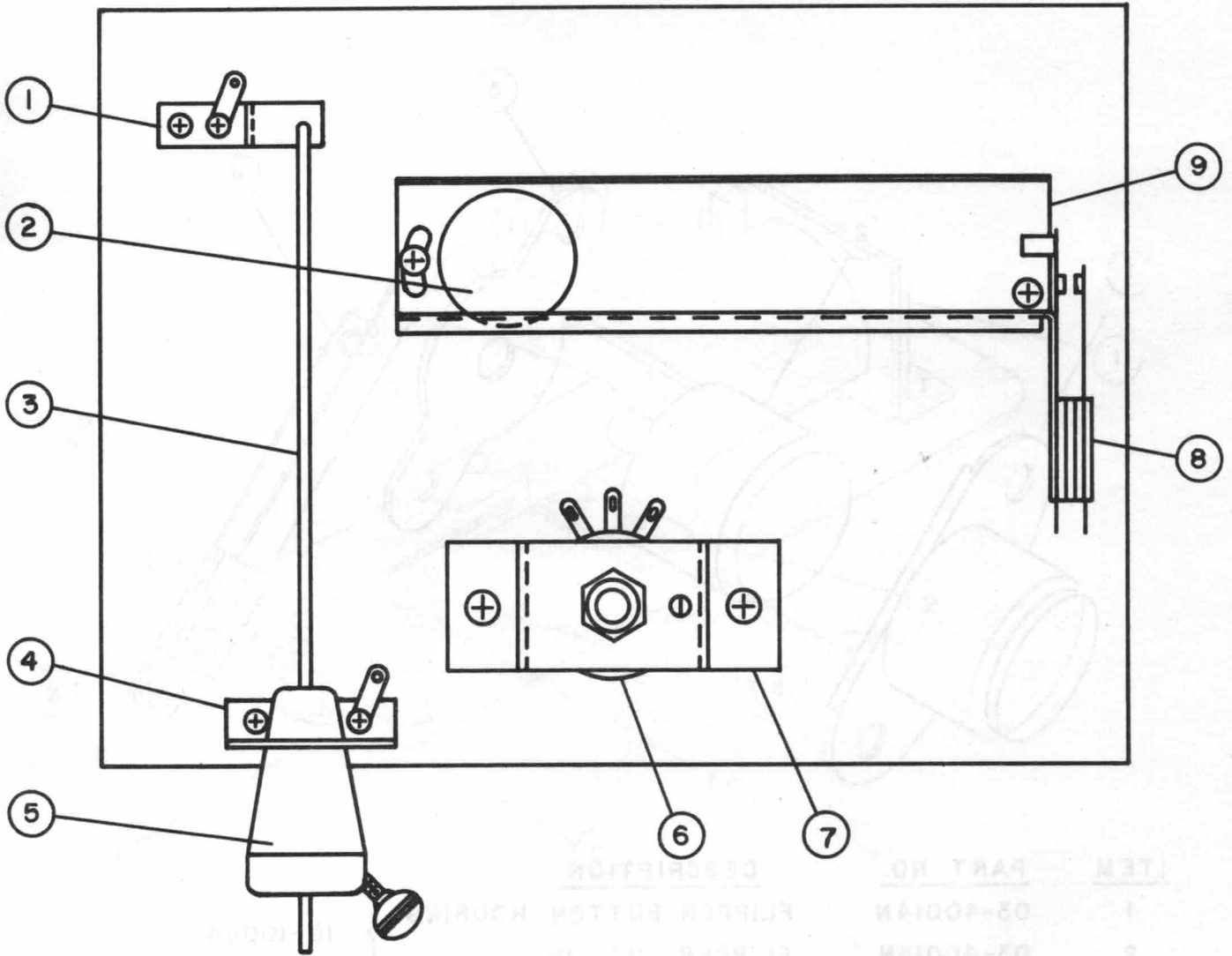
ISSUE: \_\_\_\_\_ DATE: \_\_\_\_\_

CHANGE: \_\_\_\_\_

DRP TARGET ASSY-3  
 DRP TARGET ASSY-4 TARGET

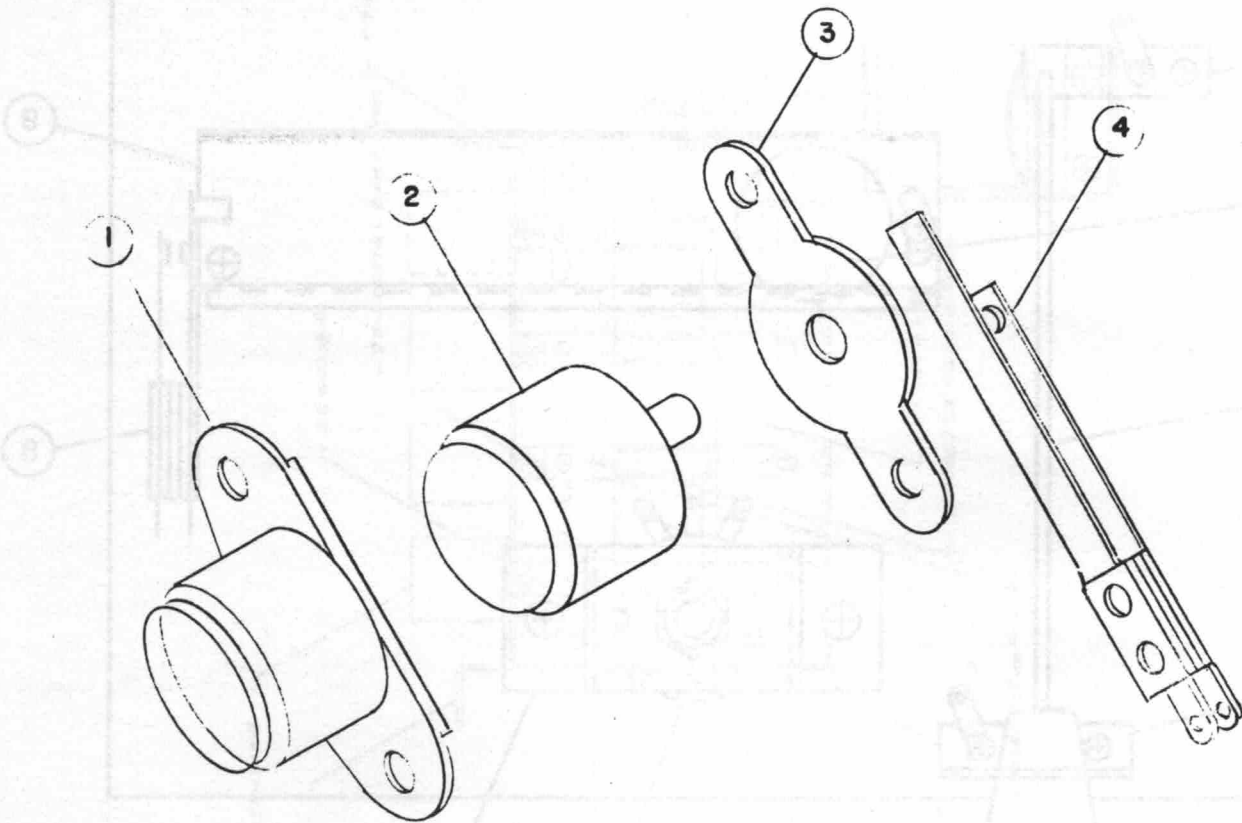
TILT BLOCK ASSEMBLY

10-10159A



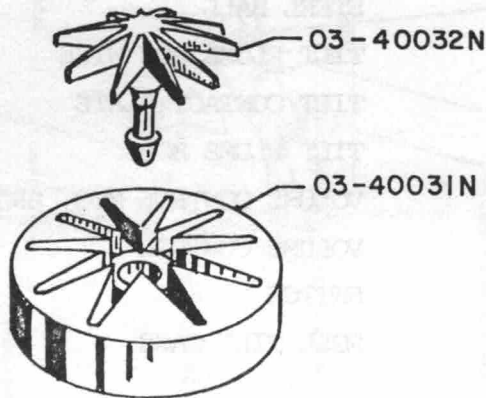
ITEM	PART NO.	DESCRIPTION
1	04-40002A	TILT PLUMB BOB HANGER
2	07-40001N	STEEL BALL
3	06-00002A	TILT PLUMB BOB WIRE
4	04-40001A	TILT CONTACT PLATE
5	03-10001A	TILT PLUMB BOB
6	04-00438A	VOLUME CONTROL MITG. BRACKET
7	27-00004N	VOLUME CONTROL
8	22-00003N	SWITCH
9	04-00027B	ROLL TILT CAGE

FLIPPER BUTTON



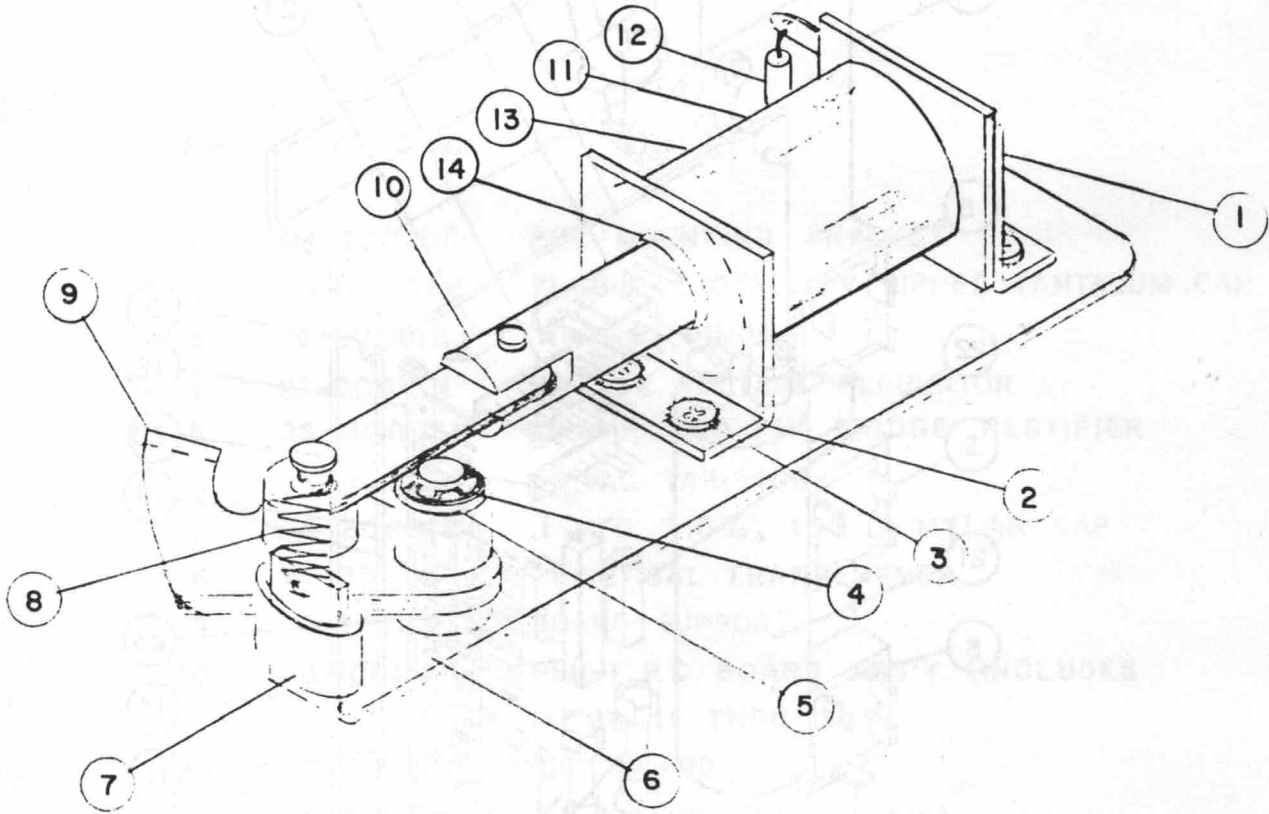
<u>ITEM</u>	<u>PART NO.</u>	<u>DESCRIPTION</u>	
1	03-40014N	FLIPPER BUTTON HOUSING	} 10-10044
2	03-40013N	FLIPPER BUTTON	
3	04-00019A	FLIPPER BUTTON PLATE	
4	22-00009N	FLIPPER SWITCH	

ROLLOVER BUTTON



BALL KICKOUT ASSEM.

10-10007B



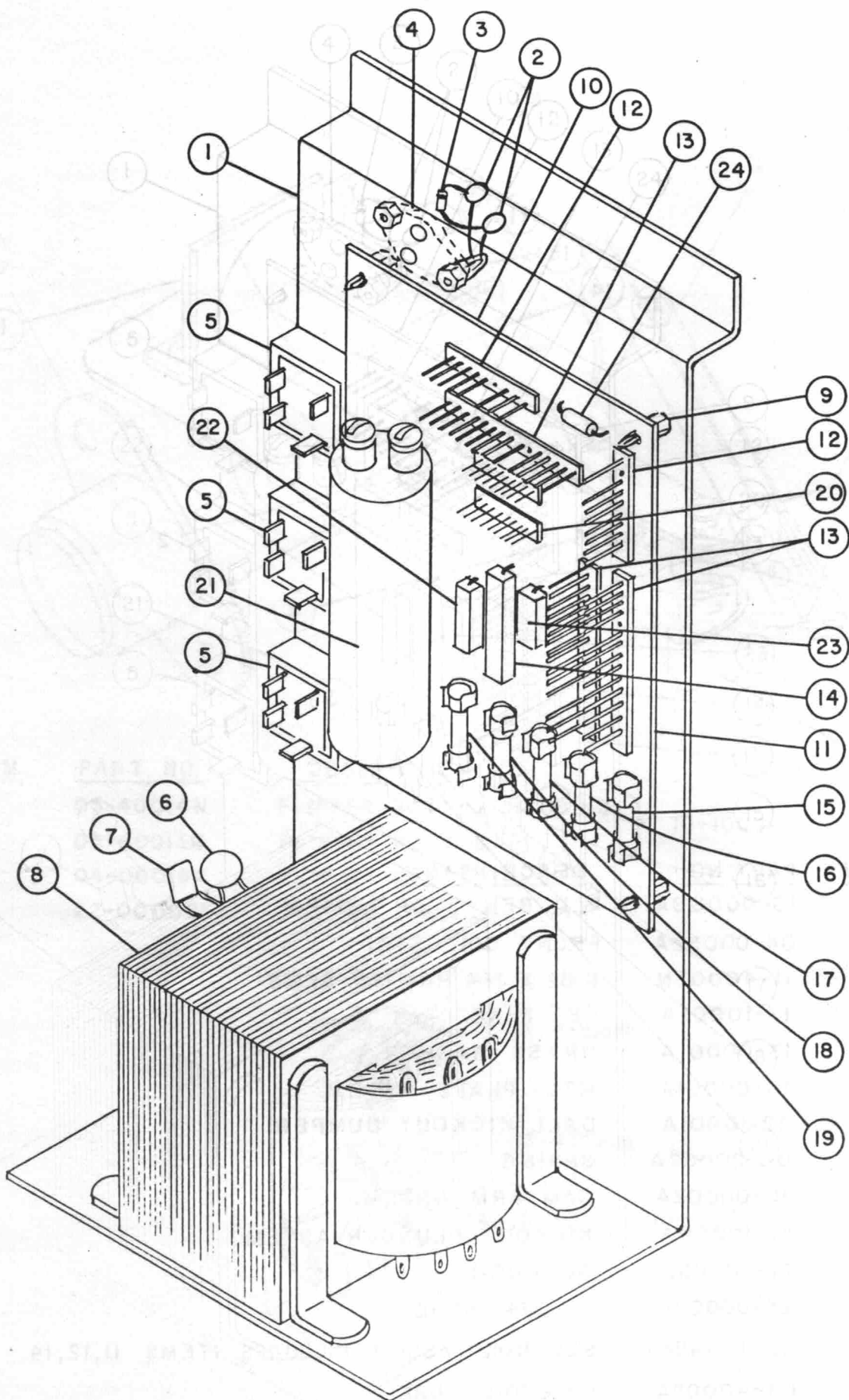
<u>ITEM</u>	<u>PART NO.</u>	<u>DESCRIPTION</u>
1	10-00009A	PLUNGER STOP ASSEM.
2	04-00052A	FRONT COIL STOP
3	11-40003N	6-32 X 1-4 P.R.H.M.S. SEMS
4	17-10001A	"E" RING
5	13-00001A	BRASS WASHER
6	10-00001A	MTG. PLATE ASSEM.
7	32-10001A	BALL KICKOUT BUMPER
8	06-20002A	SPRING
9	10-00002A	CAM ARM ASSEM.
10	10-10008A	KICKOUT PLUNGER ASSEM.
11	21-50005B	SOLENOID
12	25-00001N	IN4004 DIODE
13	10-10045N	SOLENOID ASSEM. INCLUDES ITEMS 11,12,14
14	03-40008A	SOLENOID TUBE



PSU-1

# PSU-1 POWER SUPPLY UNIT

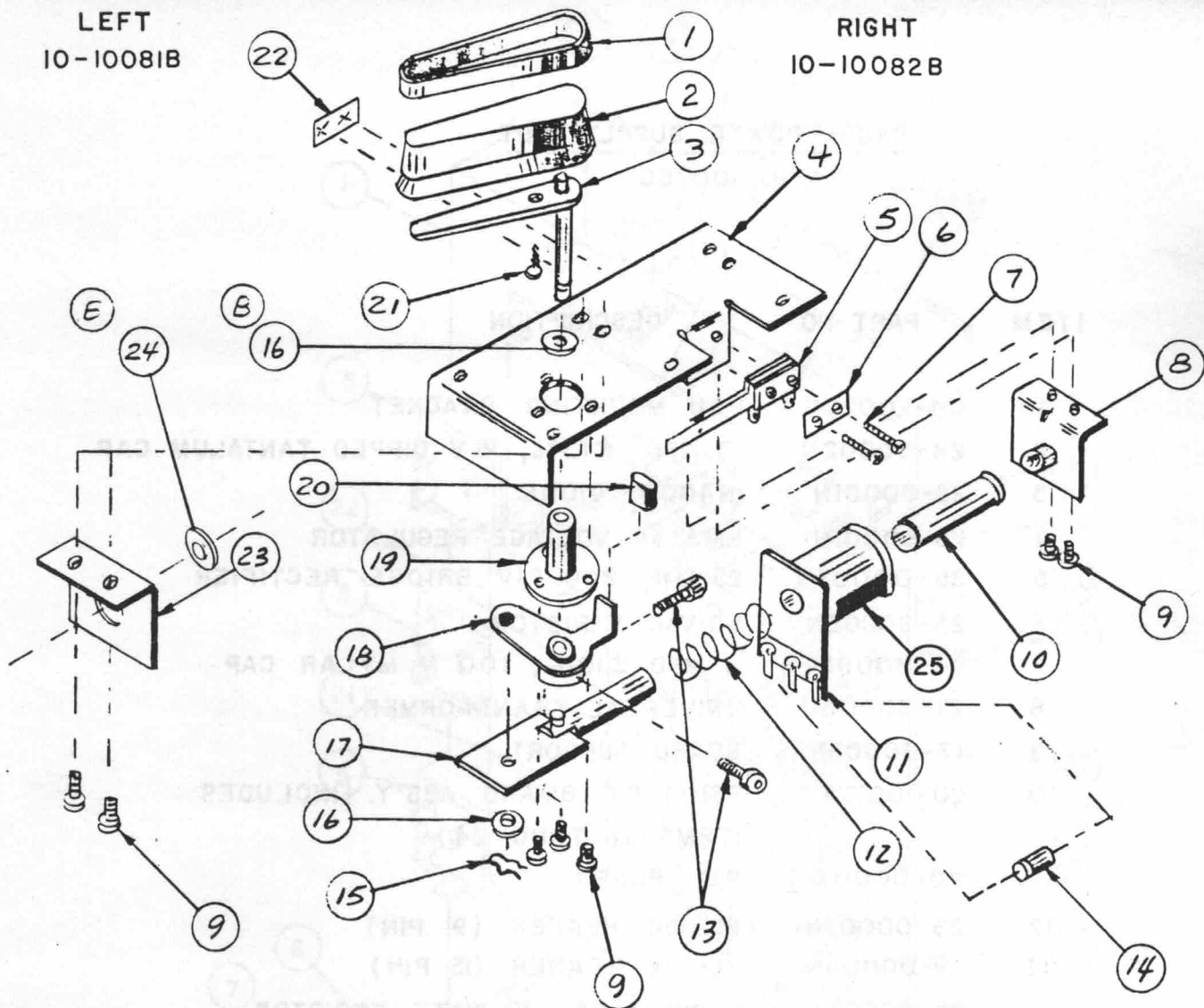
10-10075C



PSU-I POWER SUPPLY UNIT  
10-10075C

ITEM	PART NO.	DESCRIPTION
1	04-20020C	PSU MOUNTING BRACKET
2	24-30002N	10 MFD $\pm 10\%$ , 16 V DIPPED TANTALUM CAP
3	25-00001N	IN4004 DIODE
4	26-50001N	LM323K VOLTAGE REGULATOR
5	25-00003N	25 AMP, 200 PIV BRIDGE RECTIFIER
6	25-90002N	50 VAC VARISTOR
7	24-20001N	.1 MFD $\pm 10\%$ , 100 V MYLAR CAP
8	21-30003C	UNIVERSAL TRANSFORMER
9	17-30003N	BOARD SUPPORT
10	20-10013A	PSU-I P.C. BOARD ASS'Y. (INCLUDES ITEMS 11 THRU 24)
11	20-00011B	P.C. BOARD
12	29-00007N	SL-156 HEADER (9 PIN)
13	29-00004N	SL-156 HEADER (15 PIN)
14	23-50001N	5 OHM $\pm 10\%$ , 10 WATT RESISTOR
15	30-00006N	20 AMP, 32 V FUSE
16	30-00004N	10 AMP, 125 V FUSE
17	30-00005N	15 AMP, 32 V FUSE
18	30-00002N	5AMP, 125 V 3 AG FUSE
19	30-00003N	3 AMP, 125 V 3 AG SLO-BLO FUSE
20	29-00001N	CIS HEADER (9 PIN)
21	24-10005N	11,000 MFD, 25 V LYTIC
22	23-40001N	.47 OHM $\pm 10\%$ , 5 WATT RESISTOR
23	23-40002	700 OHM $\pm 10\%$ , 5 WATT RESISTOR
24	23-20002N	100 OHM, $\pm 5\%$ , 1 WATT RESISTOR

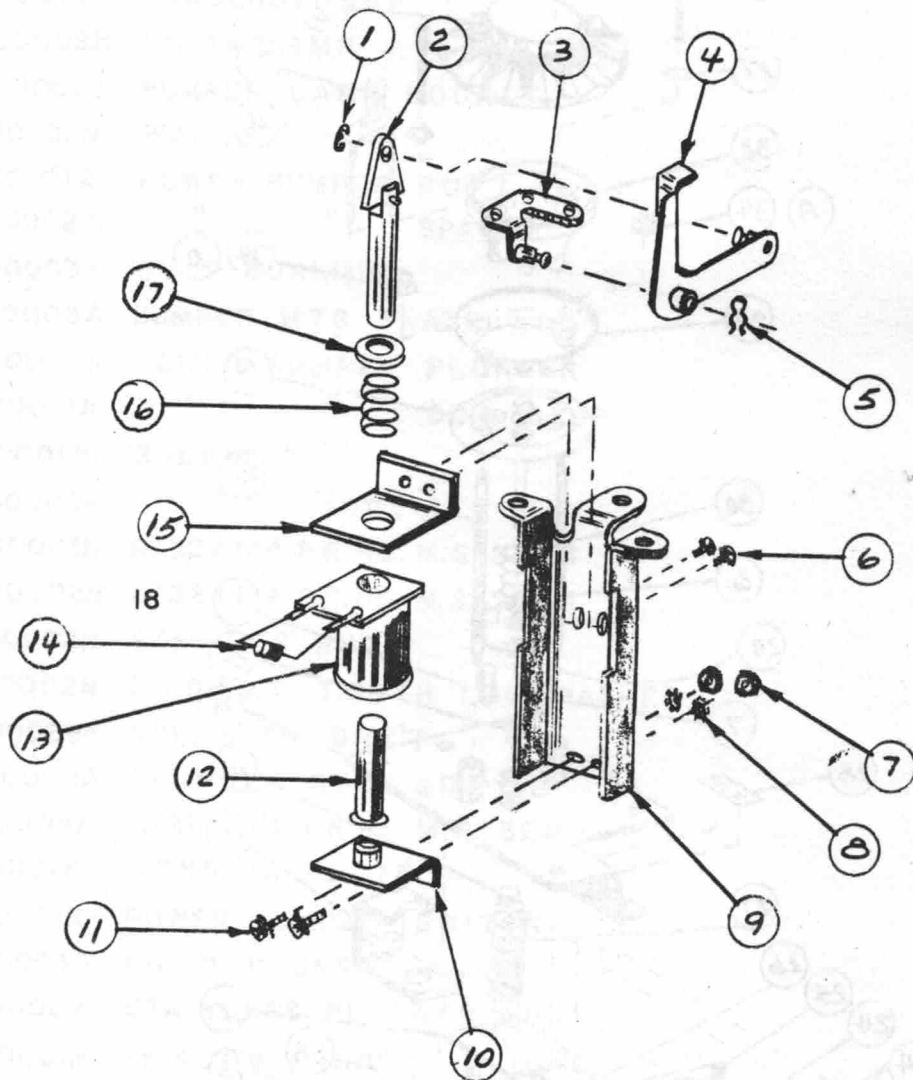
LEFT-RIGHT FLIPPER ASSEM.



<u>ITEM</u>	<u>PART NO.</u>	<u>DESCRIPTION</u>	<u>ITEM</u>	<u>PART NO.</u>	<u>DESCRIPTION</u>
1	08-3000IN	FLIPPER RUBBER	13	11-2000IN	10/32 SOC.HD.SET SCREW
2	03-40009N	FLIPPER	14	25-0000IN	1N4004 DIODE
3	10-00010A	FLIPPER SHOE ASS'Y	15	17-20001A	SPRING CLIP
* 4	04-00030C	LEFT FLIPPER MTG. PL.	16	13-00001A	BRASS WASHER
5	22-00002N	FLIPPER BREAK SW.	17	10-10002A	FLIPPER PLUNGER ASS'Y
6	17-90001N	TENSION PLATE	18	10-00011A	LEFT FLIPPER ARM ASS'Y
7	11-10019 N	NO.4X5/8S.R.H.S.M.S.TYPE'B'	"	10-00012A	RIGHT " " "
8	10-00009A	PLUNGER STOP ASS'Y	19	03-40001A	FLIPPER BUSHING
9	11-40003N	6/32X1/4RR.H.M.S.SEMS	20	32-10002A	INSULATOR
10	03-40022N	SOLENOID TUBE	21	11-10002N	6/32X1/2 P. TRUSS HD.
11	21-50008B	SOLENOID	22	12-20002N	SPEED NUT
12	06-30004A	PLUNGER RETURN SP.	23	04-00052A	FRONT COIL STOP
* 13	04-00031C	RIGHT FLIPPER PLATE	24	13-00009N	CURVED SPRING WASHER
25	10-10085N	SOLENOID ASS'Y. WITH DIODE PLUS ITEMS 10-11			

SLING SHOT ASSEM.

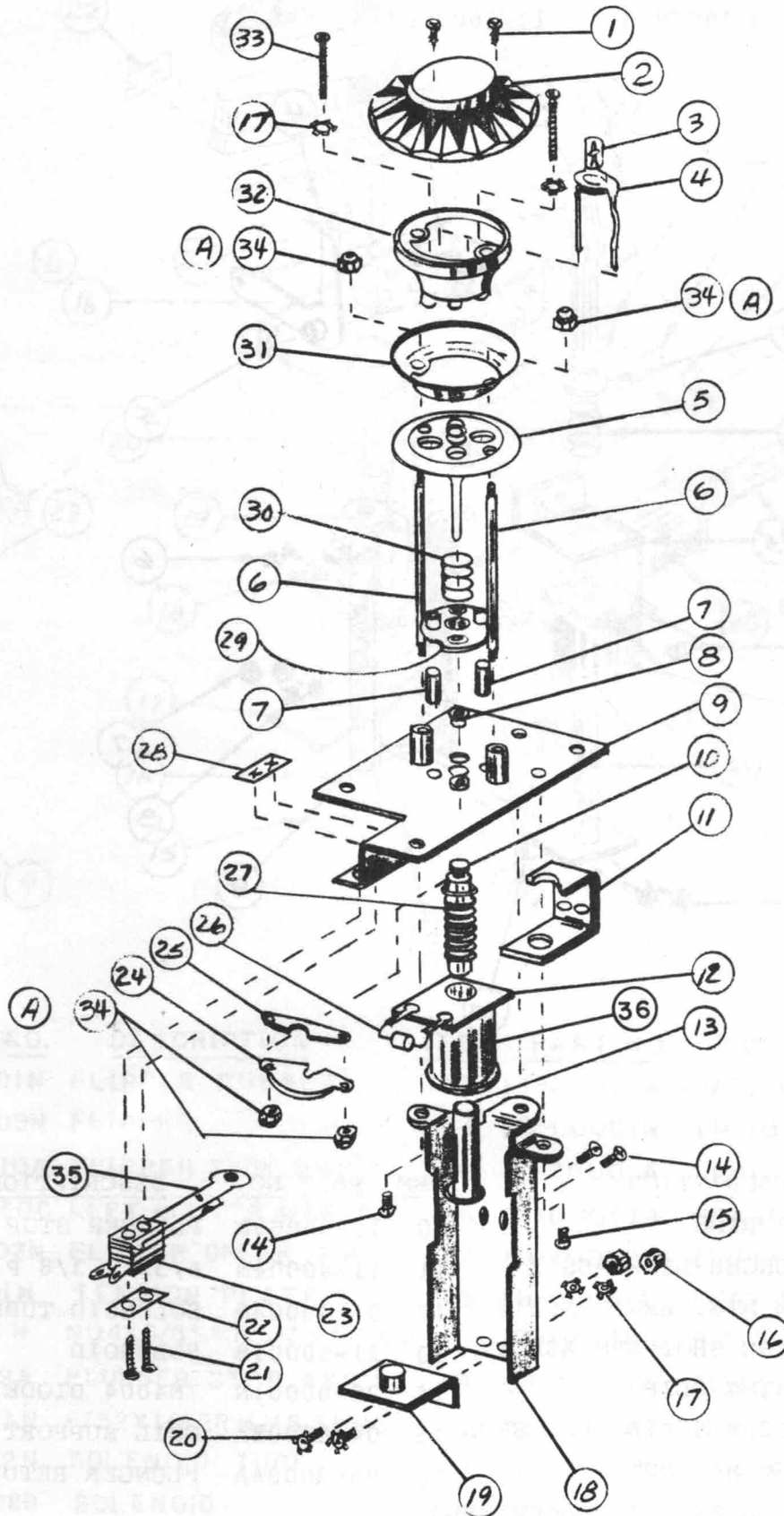
10-10009B



ITEM	PART NO.	DESCRIPTION	ITEM	PART NO.	DESCRIPTION
1	17-10003A	"E" RING	10	10-00009A	PLUNGER STOP BRK'T
2	10-10001A	PLUNGER-LINK ASS'Y	11	11-40004N	6/32 x 3/8 P.R. HD. SEMS
3	10-00005A	ARM MTG. BRK'T ASS'Y	12	03-40008N	SOLENOID TUBE
4	10-00006A	SLING SHOT ARM ASS'Y	13	21-50001B	SOLENOID
5	17-20001A	SPRING CLIP	14	25-00001N	IN4004 DIODE
6	11-40003N	6/32 x 1/4 P.R. HD. SEMS	15	04-00008A	COIL SUPPORT BRK'T
7	12-00002N	6/32 HEX NUT	16	06-30004A	PLUNGER RETURN SPRING
8	13-10002N	NO. 6 EXT. T. LOCKWASHER	17	13-00003A	STEEL WASHER
9	04-00026B	COIL MTG. BRK'T	18	10-10039N	SOLENOID ASS'Y INCL. ITEMS 12-12-14

POWER BUMPER

10-10004B

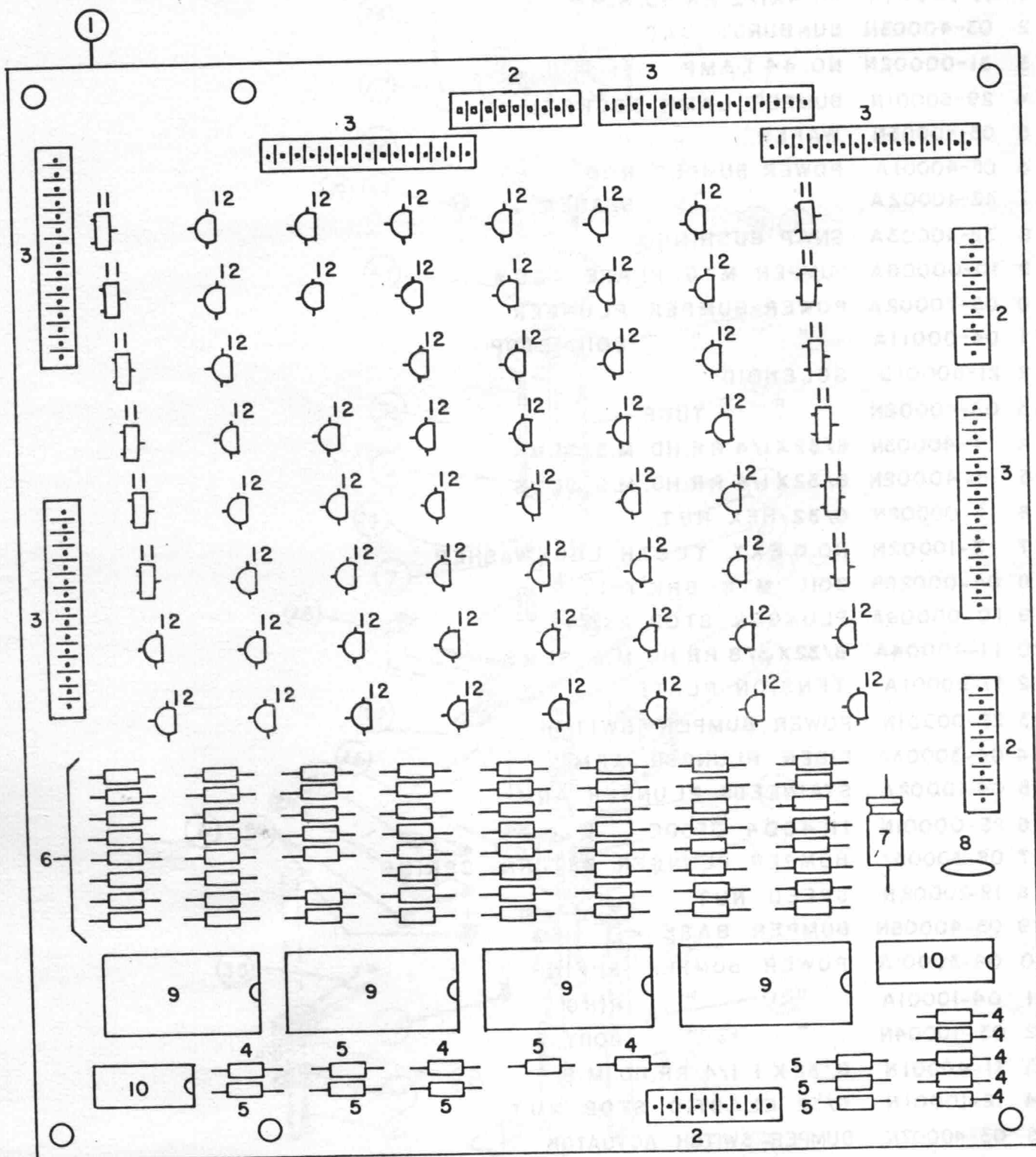




POWER BUMPER ASSEM.

<u>ITEM</u>	<u>PART NO.</u>	<u>DESCRIPTION</u>
1	11-10001N	NO.4X1/2 P.R.HD. S.M.S.
2	03-40003N	SUNBURST CAP
3	31-00002N	NO. 44 LAMP
4	29-60001N	BUMPER LAMP SOCKET
5	03-40005N	WAFER
6	05-40001A	POWER BUMPER ROD
7	32-40002A	" " SPACER
8	32-40003A	SNAP BUSHING
9	10-00008A	BUMPER MTG. PLATE ASS'Y
10	05-70002A	POWER BUMPER PLUNGER
11	04-00011A	" " COIL STOP
12	21-50001B	SOLENOID
13	03-40008N	" TUBE
14	11-40003N	6/32X1/4 P.R.HD. M.S. SEMS
15	11-40002N	8/32X1/4 P.R.HD. M.S. SEMS
16	12-00002N	6/32 HEX NUT
17	13-10002N	NO.6 EXT. TOOTH LOCKWASHER
18	04-00026B	COIL MTG. BRK'T
19	10-00009A	PLUNGER STOP ASS'Y
20	11-40004A	6/32X3/8 P.R.HD. M.S. SEMS
22	17-90001A	TENSION PLATE
23	22-00001N	POWER BUMPER SWITCH
24	04-30003A	FIBER PLUNGER ARM
25	04-10002A	STAINLESS PLUNGER ARM
26	25-00001N	IN4004 DIODE
27	06-30005A	BUMPER PLUNGER RETURN SPRING
28	12-20002N	SPEED NUT
29	03-40006N	BUMPER BASE
30	06-30001A	POWER BUMPER SPRING
31	04-10001A	" " RING
32	03-40004N	" " BODY
33	11-40001N	6/32 X 1 1/4 P.R.HD. M.S.
34	12-10001N	6/32 ELASTIC STOP NUT
35	03-40007N	BUMPER SWITCH ACTUATOR
36	10-10046N	SOLENOID ASS'Y. INCLUDES ITEMS 12,13,26

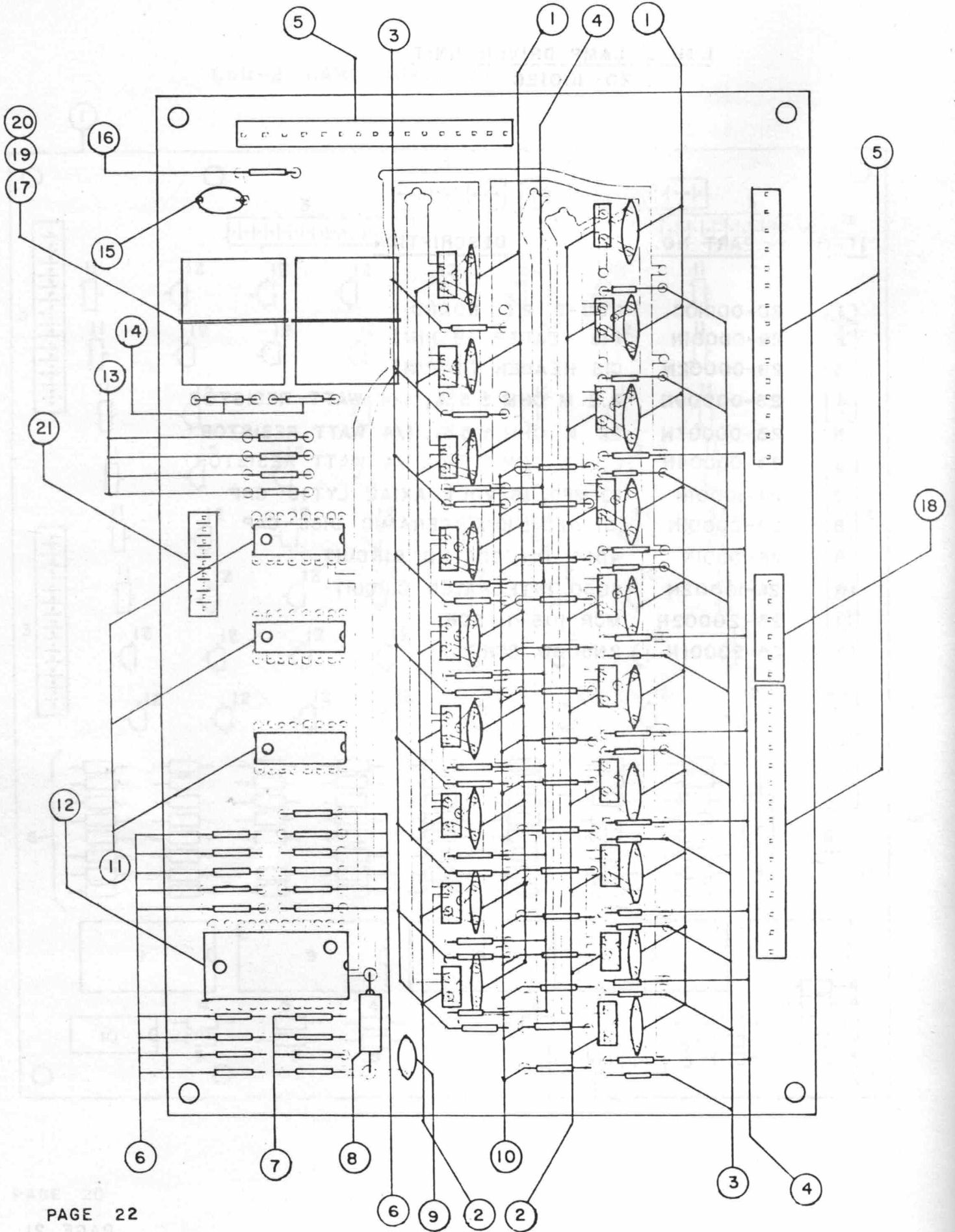
LDU-2 LAMP DRIVER UNIT



LDU-2 LAMP DRIVER UNIT  
20-10012C

<u>ITEM</u>	<u>PART NO.</u>	<u>DESCRIPTION</u>
1	20-00010C	LDU-2 P.C. BOARD
2	29-00001N	CIS HEADER (9 PIN)
3	29-00002N	CIS HEADER (15 PIN)
4	23-00009N	2.2 M OHM $\pm$ 5%, 1/4 WATT RESISTOR
5	23-00007N	22 K OHM $\pm$ 5%, 1/4 WATT RESISTOR
6	23-00004N	2.2 K OHM $\pm$ 5%, 1/4 WATT RESISTOR
7	24-10001N	10 MFD, 16 VOLT AXIAL LYTIC CAP
8	24-00001N	.01 MFD $\pm$ 10% CERAMIC DISC CAP
9	26-10001N	4514 INTEGRATED CIRCUIT
10	26-10002N	4050 INTEGRATED CIRCUIT
11	25-20002N	MCR 106-1 SCR
12	25-20001N	2N5060 SCR

SDU-1- SOLENOID DRIVER



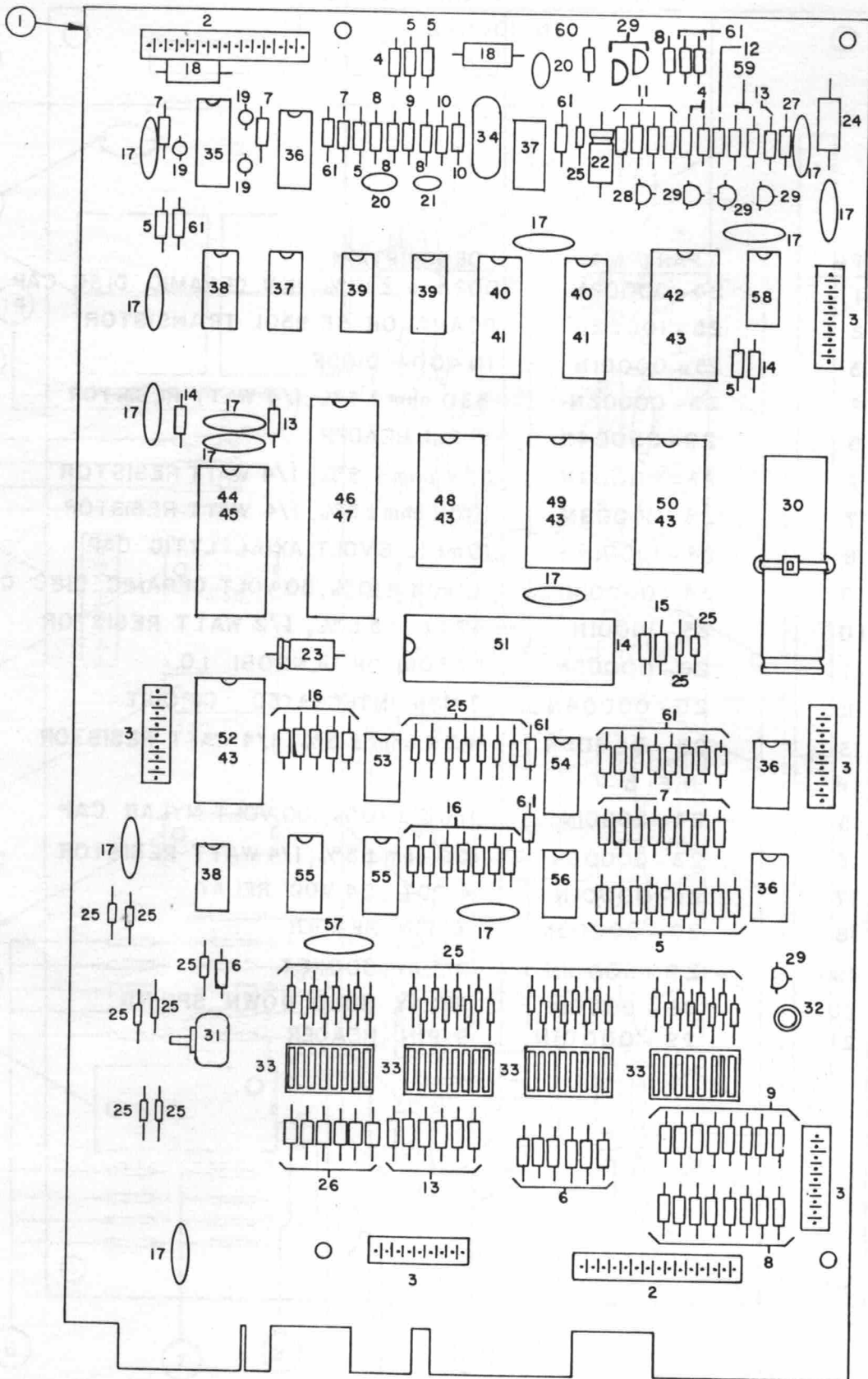
## SDU - 1 — SOLENOID DRIVER

20-10002B

<u>ITEM</u>	<u>PART NO.</u>	<u>DESCRIPTION</u>
1	24-00002N	.002mfd. $\pm 10\%$ , 1KV. CERAMIC DISC CAP
2	25-10002N	RCA 121 OR SE 9301 TRANSISTOR
3	25-00001N	1N4004 DIODE
4	23-00002N	330 ohm $\pm 5\%$ , 1/4 WATT RESISTOR
5	29-00004N	15 PIN HEADER
6	23-00003N	1.2K ohm $\pm 5\%$ , 1/4 WATT RESISTOR
7	23-00008N	100K ohm $\pm 5\%$ , 1/4 WATT RESISTOR
8	24-10001N	10mfd. 16 VOLT AXIAL LYTIC CAP
9	24-00001N	.01mfd. $\pm 10\%$ , 50 VOLT CERAMIC DISC CAP
10	23-10001N	470 ohm $\pm 5\%$ , 1/2 WATT RESISTOR
11	26-00005N	CA3081 OR ULN2081 I.C.
12	26-00004N	74154 INTEGRATED CIRCUIT
13	23-00005N	4.7K ohm $\pm 5\%$ , 1/4 WATT RESISTOR
14	SEE 3	
15	24-20001N	.1mfd. $\pm 10\%$ , 100 VOLT MYLAR CAP
16	23-00006N	100 ohm $\pm 5\%$ , 1/4 WATT RESISTOR
17	21-00001N	4 PDT 24 VDC RELAY
18	29-00003N	6 PIN HEADER
19	29-50001N	RELAY SOCKET
20	06-90001N	RELAY HOLD DOWN SPRING
21	29-00001N	9 PIN HEADER



MPU-2 MICRO PROCESSOR UNIT  
20-10016C

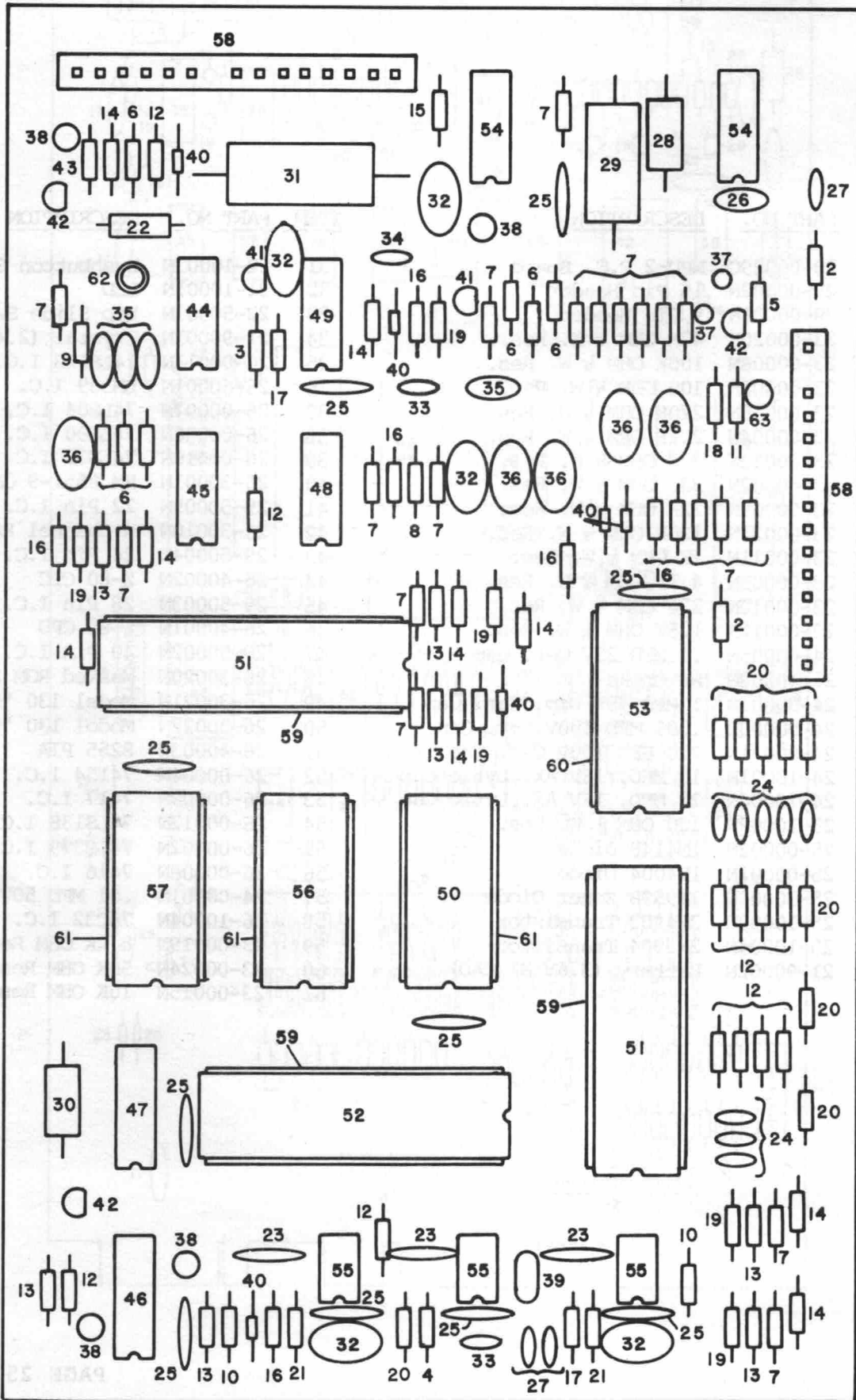


MSU-1  
MICRO SOUND UNIT  
30-1000

MPU-2 MICRO PROCESSOR UNIT

<u>ITEM</u>	<u>PART NO.</u>	<u>DESCRIPTION</u>	<u>ITEM</u>	<u>PART NO.</u>	<u>DESCRIPTION</u>
1	20-00029C	MPU-2 P.C. Board	31	22-10003N	Pushbutton Switch
2	29-00002N	15 Pin Header	32	31-10001N	LED
3	29-00001N	9 Pin Header	33	22-50001N	Dip Slide Switch
4	23-00020N	47K OHM 1/4 W. Res.	34	21-90001N	Crystal (2.4576 MHZ)
5	23-00008N	100K OHM 1/4 W. Res.	35	26-00011N	74LS123 I.C.
6	23-00006N	100 OHM 1/4 W. Res.	36	26-60001N	LM339 I.C.
7	23-00016N	220K OHM 1/4 W. Res.	37	26-00007N	74LS04 I.C.
8	23-00004N	2.2K OHM 1/4 W. Res.	38	26-00006N	74LS00 I.C.
9	23-00013N	3.3 OHM 1/4 W. Res.	39	26-00010N	74LS32 I.C.
10	23-00002N	330 OHM 1/4 W. Res.	40	26-30001N	HM 6551-9 CMOS I.C.
11	23-00007N	22K OHM 1/4 W. Res.	41	29-50005N	22 Pin I.C. Socket
12	23-00021N	120K OHM 1/4 W. Res.	42	26-30010N	N Channel RAM, 6810
13	23-00011N	1K OHM 1/4 W. Res.	43	29-50004N	24 Pin I.C. Socket
14	23-00005N	4.7K OHM 1/4 W. Res.	44	26-40002N	Z-80 CTC
15	23-00010N	270 OHM 1/4 W. Res.	45	29-50003N	28 Pin I.C. Socket
16	23-00012N	1.5K OHM 1/4 W. Res.	46	26-40001N	Z-80 CPU
17	24-00005N	.1 MFD 25V Cer. Cap	47	29-50002N	40 Pin I.C. Socket
18	21-40002N	RF Choke	48	26-30020N	Masked ROM Standard
19	24-30001N	1 MFD 35V Dip. Tan. Cap	49	26-30021N	Model 130 "B" ROM
20	24-00003N	.001 MFD 100V Cer. Cap	50	26-30022N	Model 130 "C" ROM
21	24-00001N	220 PFD 100V Cer. Cap	51	26-40003N	8255 PIA
22	24-10001N	10 MFD, 16V AX. Lytic Cap	52	26-00004N	74154 I.C.
23	24-10004N	22 MFD, 16V AX. Lytic Cap	53	26-00009N	7417 I.C.
24	23-20002N	100 OHM 1 W. Res.	54	26-00012N	74LS138 I.C.
25	25-00002N	1N4148 Diode	55	26-00002N	74LS379 I.C.
26	25-00001N	1N4004 Diode	56	26-00008N	7416 I.C.
27	25-30003N	1N959B Zener Diode	57	24-00001N	.01 MFD 50V Cer. Cap
28	25-10003N	2N4403 Transistor	58	26-10004N	74C32 I.C.
29	25-10004N	2N3904 Transistor	59	23-00019N	8.2K OHM Res.
30	21-90002N	Battery (3.6V N1 CAD)	60	23-00024N	56K OHM Res.
			61	23-00015N	10K OHM Res.

# MSU-1 MICRO SOUND UNIT 20-10055



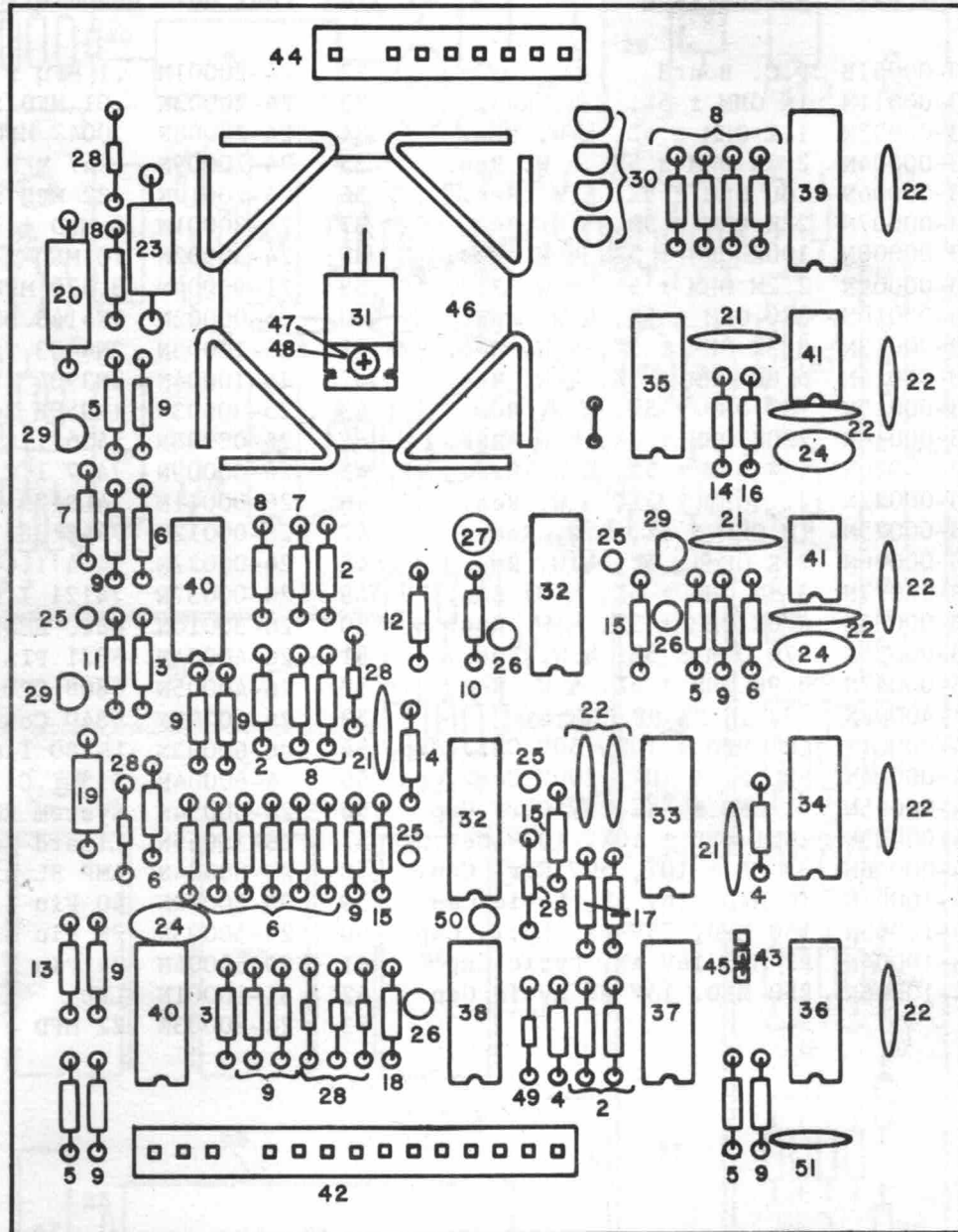
## MSU-1

## MICRO SOUND UNIT

20-10055

ITEM	PART NO.	DESCRIPTION	ITEM	PART NO.	DESCRIPTION
1	20-00051B	P.C. Board	32	24-20001N	.1 MFD $\pm$ 10%, 100V Mylar Cap
2	23-00011N	1K OHM $\pm$ 5%, $\frac{1}{4}$ W. Res.	33	24-20003N	.01 MFD $\pm$ 10% 100V Mylar Cap
3	23-00003N	1.2 OHM $\pm$ 5%, $\frac{1}{4}$ W. Res.	34	24-20008N	.0047 MFD $\pm$ 10% 100V Mylar Cap
4	23-00004N	2.2K OHM $\pm$ 5%, $\frac{1}{4}$ W. Res.	35	24-20009N	.047 MFD $\pm$ 10%, 100V Mylar Cap
5	23-00006N	100 OHM $\pm$ 5%, $\frac{1}{4}$ W. Res.	36	24-20010N	.22 MFD $\pm$ 10% 100V Mylar Cap
6	23-00007N	22K OHM $\pm$ 5%, $\frac{1}{4}$ W. Res.	37	24-30001N	1 MFD $\pm$ 10%, 35V Dip. Tan. Cap
7	23-00008N	100K OHM $\pm$ 5%, $\frac{1}{4}$ W. Res.	38	24-30002N	10 MFD $\pm$ 10%, 16V Dip. Tan. Cap
8	23-00009N	2.2M OHM $\pm$ 5%, $\frac{1}{4}$ W. Res.	39	21-90004N	3.579 MHz Crystal
9	23-00010N	270 OHM $\pm$ 5%, $\frac{1}{4}$ W. Res.	40	25-00002N	1N4148 Diode
10	23-00013N	3.3K OHM $\pm$ 5%, $\frac{1}{4}$ W. Res.	41	25-10003N	2N4403 Transistor
11	23-00014N	6.8K OHM $\pm$ 5%, $\frac{1}{4}$ W. Res.	42	25-10004N	2N3904 Transistor
12	23-00015N	10K OHM $\pm$ 5%, $\frac{1}{4}$ W. Res.	43	25-30003N	1N959B Zener Diode
13	23-00016N	220K OHM $\pm$ 5%, $\frac{1}{4}$ W. Res.	44	26-00008N	7416 I.C.
14	23-00020N	47K OHM $\pm$ 5%, $\frac{1}{4}$ W. Res.	45	26-00009N	7417 I.C.
15	23-00022N	2.7 OHM $\pm$ 5%, $\frac{1}{4}$ W. Res.	46	26-00011N	74LS123 I.C.
16	23-00025N	1M OHM $\pm$ 5%, $\frac{1}{4}$ W. Res.	47	26-00012N	74LS138 I.C.
17	23-00026N	27K OHM $\pm$ 5%, $\frac{1}{4}$ W. Res.	48	26-00027N	7474 I.C.
18	23-00027N	3.3M OHM $\pm$ 5%, $\frac{1}{4}$ W. Res.	49	26-00037N	74121 I.C.
19	23-00031N	470K OHM $\pm$ 5%, $\frac{1}{4}$ W. Res.	50	26-30010N	6810 NMOS RAM
20	23-00035N	470 OHM $\pm$ 5%, $\frac{1}{4}$ W. Res.	51	26-40004N	6821 PIA
21	23-00047N	3.9K OHM $\pm$ 5%, $\frac{1}{4}$ W. Res.	52	26-40005N	6808 CPU
22	21-40002N	.22 $\mu$ H 2A RF Choke	53	26-40008N	6840 Counter Timer
23	24-00001N	.01 MFD $\pm$ 10%, 50V Cer. Cap	54	26-60003N	LM380 I.C.
24	24-00004N	680 PF $\pm$ 10%, 100V Cer. Cap	55	26-60004N	555 I.C.
25	24-00005N	.1 MFD $\pm$ $\frac{8}{10}$ %, 25V Cer. Cap	56	26-30054N	System ROM
26	24-00003N	.001 MFD $\pm$ 10%, 100V Cer. Cap	57	26-30055N	Lizard Sound User EPROM
27	24-00016N	39 PF $\pm$ 10%, 50V Cer. Cap	58	29-00004N	AMP SL-156 15 Pin Header
28	24-10001N	10 MFD, 16V AX. Lytic Cap	59	29-50002N	40 Pin I.C. Socket
29	24-10003N	150 MFD, 25V AX. Lytic Cap	60	29-50003N	28 Pin I.C. Socket
30	24-10004N	22 MFD 16V AX. Lytic Cap	61	29-50004N	24 Pin I.C. Socket
31	24-10006N	250 MFD, 15V NP Lytic Cap	62	31-10001N	LED
			63	24-30003N	22 MFD $\pm$ 10%, 10V Dip. Tan.

# LLU-1 LIZARD LIGHT UNIT 20-10059



1



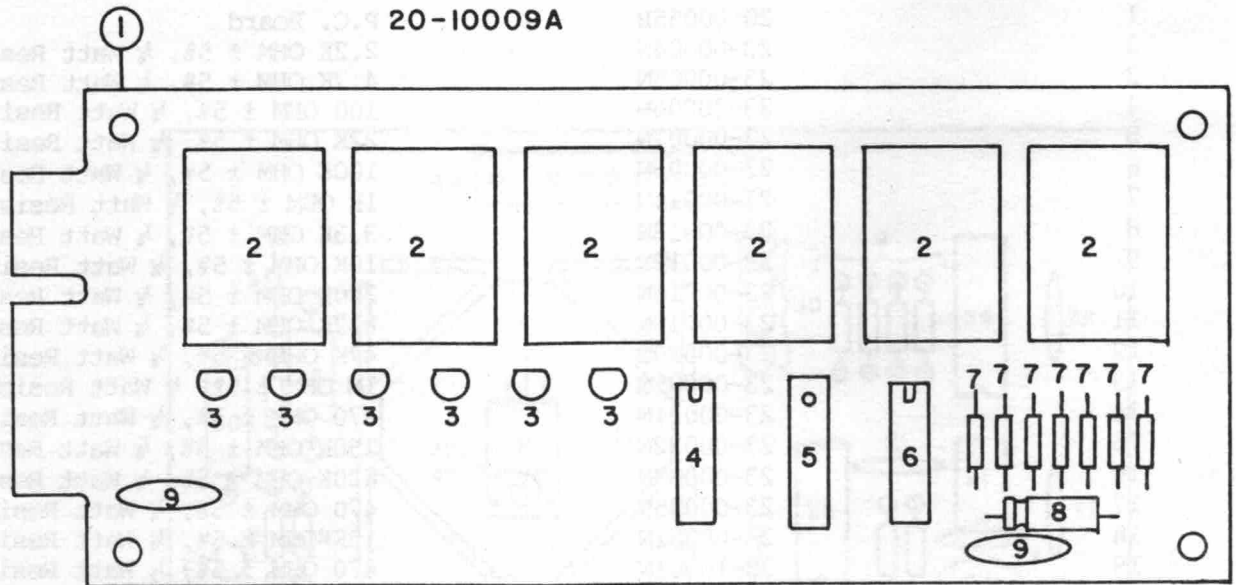
LLU-1  
LIZARD LIGHT UNIT  
20-10059

<u>ITEM</u>	<u>PART NO.</u>	<u>DESCRIPTION</u>
1	20-00055B	P.C. Board
2	23-00004N	2.2K OHM $\pm$ 5%, $\frac{1}{4}$ Watt Resistor
3	23-00005N	4.7K OHM $\pm$ 5%, $\frac{1}{4}$ Watt Resistor
4	23-00006N	100 OHM $\pm$ 5%, $\frac{1}{4}$ Watt Resistor
5	23-00007N	22K OHM $\pm$ 5%, $\frac{1}{4}$ Watt Resistor
6	23-00008N	100K OHM $\pm$ 5%, $\frac{1}{4}$ Watt Resistor
7	23-00011N	1K OHM $\pm$ 5%, $\frac{1}{4}$ Watt Resistor
8	23-00013N	3.3K OHM $\pm$ 5%, $\frac{1}{4}$ Watt Resistor
9	23-00015N	10K OHM $\pm$ 5%, $\frac{1}{4}$ Watt Resistor
10	23-00016N	220K OHM $\pm$ 5%, $\frac{1}{4}$ Watt Resistor
11	23-00019N	8.2K OHM $\pm$ 5%, $\frac{1}{4}$ Watt Resistor
12	23-00020N	47K OHM $\pm$ 5%, $\frac{1}{4}$ Watt Resistor
13	23-00025N	1M OHM $\pm$ 5%, $\frac{1}{4}$ Watt Resistor
14	23-00031N	470 OHM $\pm$ 5%, $\frac{1}{4}$ Watt Resistor
15	23-00032N	150K OHM $\pm$ 5%, $\frac{1}{4}$ Watt Resistor
16	23-00033N	620K OHM $\pm$ 5%, $\frac{1}{4}$ Watt Resistor
17	23-00035N	470 OHM $\pm$ 5%, $\frac{1}{4}$ Watt Resistor
18	23-00052N	15K OHM $\pm$ 5%, $\frac{1}{4}$ Watt Resistor
19	23-10001N	470 OHM $\pm$ 5%, $\frac{1}{2}$ Watt Resistor
20	23-20002N	100 OHM $\pm$ 5%, 1 Watt Resistor
21	24-00001N	.01 MFD $\pm$ 10%, 50V Ceramic Disc Cap
22	24-00005N	.1 MFD $\pm$ $\frac{8}{20}$ %, 25V Ceramic Disc Cap
23	24-10004N	22 MFD, 16V Axial Lytic Cap
24	24-20001N	.1 MFD $\pm$ 10%, 100V Mylar Cap
25	24-30001N	1 MFD $\pm$ 10%, 35V Dipped Tantalum
26	24-30002N	10 MFD $\pm$ 10%, 16V Dipped Tantalum
27	24-30003N	22 MFD $\pm$ 10%, 10V Dipped Tantalum
28	25-00002N	1N4148 Diode
29	25-10004N	2N3904 Transistor
30	25-20001N	2N5060 SCR
31	25-20003N	C126F Type 3 SCR
32	26-00011N	74LS123 I.C.
33	26-00013N	74279 I.C.
34	26-00016N	7432 I.C.
35	26-00020N	7493 I.C.
36	26-00021N	7402 I.C.
37	26-00026N	7408 I.C.
38	26-00037N	74121 I.C.
39	26-00038N	74174 I.C.
40	26-60001N	LM339 I.C.
41	26-60004N	555 I.C.
42	29-00004N	AMP SL-156 15 Pin Header
43	29-00006N	Berg 3 Pin Gold Header
44	29-00007N	AMP SL-156 9 Pin Header
45	29-10005N	Berg Mini Jumper
46	32-00008N	Heat Sink
47	11-40018N	#4-40 x 3/8 P.R.M.S
49	12-00007N	#4-40 Nut & Lockwasher
49	25-00001N	1N4004 Diode
50	24-30005N	47 MFD $\pm$ 20%, 6V Tantalum
51	24-00002N	.002 MFD $\pm$ 10%, 1000V Ceramic



**BDU-1 BACKGLASS DISPLAY UNIT**

20-10009A



<u>ITEM</u>	<u>PART NO.</u>	<u>DESCRIPTION</u>
1	20-00008B	BDU-1 P.C. BOARD
2	31-20002N	.8" 7 SEGMENT DISPLAY
3	25-10006N	MPSA13 DARLINGTON TRANSISTOR
4	26-00002N	74LS379 INTEGRATED CIRCUIT
5	26-00001N	74LS48 INTEGRATED CIRCUIT
6	26-00003N	2003 INTEGRATED CIRCUIT
7	23-00001N	22 OHM $\pm$ 5%, 1/4 WATT RESISTOR
8	24-10001N	10 MFD, 16 VOLT AXIAL LYTIC CAP
9	24-00001N	.01 MFD $\pm$ 10%, 50 VOLT CERAMIC DISC CAP